

A

B

C

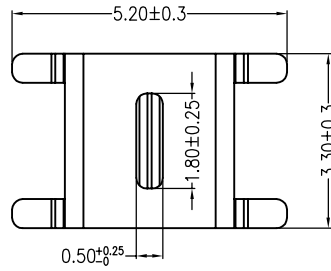
D

E

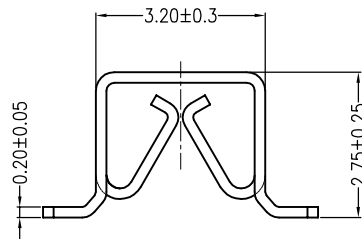
F

REV	ECN No.	DESCRIPTION	DESIGN	DATE
A	-	NEW RELEASE	李润	2015.03.10

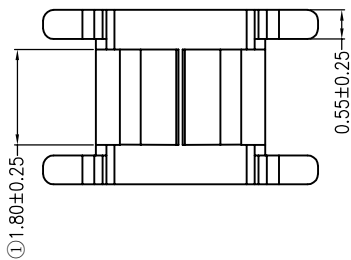
1



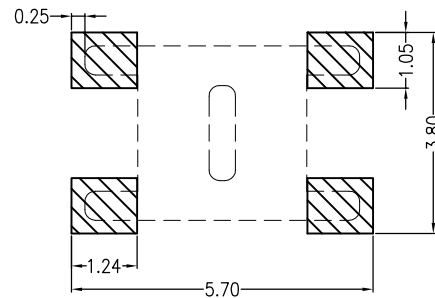
2



3



4



Board Layout

A

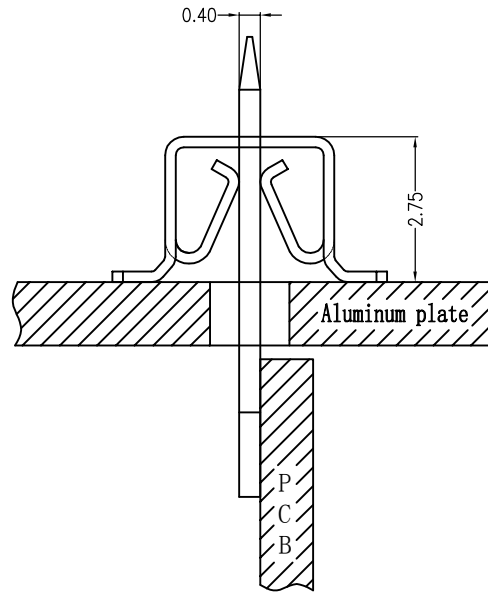
B

C

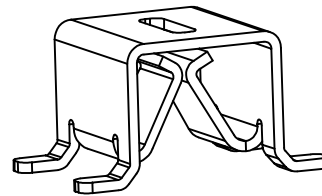
D

E

F



Assembly Layout



### 主要技术参数 Main Specifications

线 数 (Poles): 01

接触电阻 (Contact resistance):  $\leq 20\text{m}\Omega$

绝缘电阻 (Insulation resistance):  $\geq 800\text{M}\Omega$

额定电压 (Rated voltage): 250 V AC DC

额定电流 (Rated current): 1.0A AC DC

耐 电压 (Withstand Voltage): 1500V AC/minute

温度范围 (Temperature Range):  $-45^{\circ}\text{C} \sim +125^{\circ}\text{C}$

### ORDER INFORMATION:

**L032-01-T2CB-R**

PART No.

No. FOR CIRCUITS:

01

PLASTIC MATERIAL:

T2C=PBR (BEIGE)


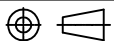
PACKAGING:

R=REEL

P=PE

PLATING:

B=MATTE Sn

C				
B				
A	CONTACT	1 PCS	Brass	Ni-plated
ITEM	COMPONENT	Q'TY	MATERIAL	FINISH
 <b>东莞市高迪电子有限公司</b> DONG GUAN GAO DI ELECTRONICS CO., LTD				TITLE: -
.X±0.35	X.±	USE:	CUSTOMER	
.XX±0.25	.X±	APPD:	邵敬和	
.XXX±0.15	.XX±	CHKD:	田峰	
--	--	DR:	蒋建银	
 UNITS: mm		SCALE	SHEET	
		1 : 1	1 / 1	

5

A

B

C

D

E

F

REV	ECN No.	DESCRIPTION	DESIGN	DATE
A	-	NEW RELEASE	蒋建银	2018.01.29

1

1

2

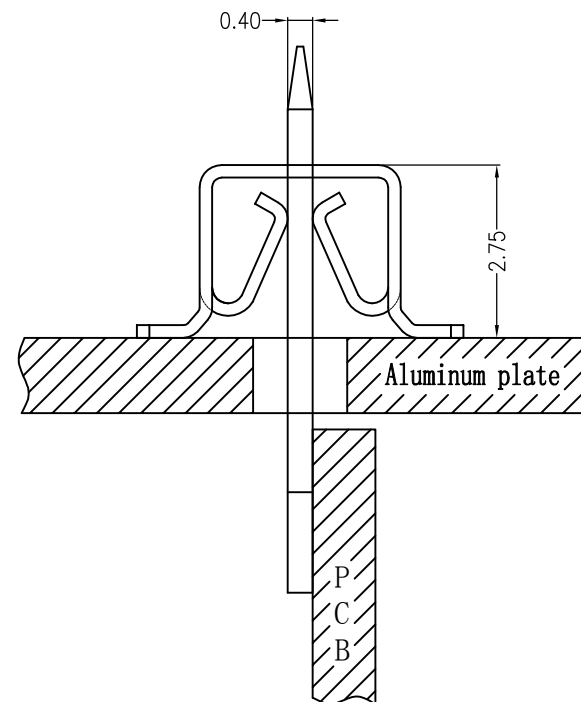
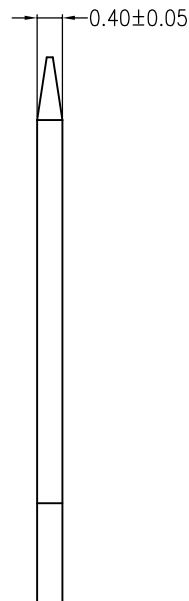
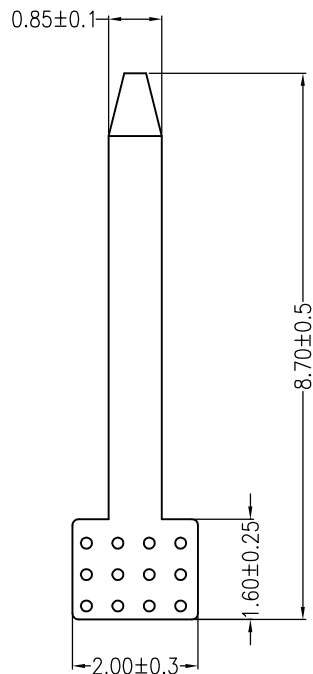
2

3

3

4

4

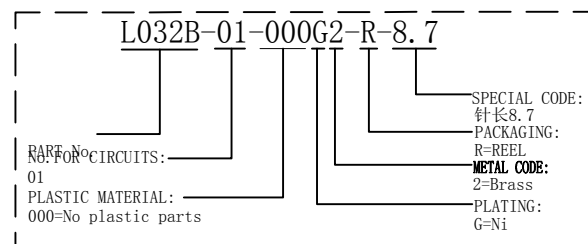


Assembly Layout

### 主要技术参数 Main Specifications

线数 (Poles): 01  
 接触电阻 (Contact resistance):  $\leq 20\text{m}\Omega$   
 绝缘电阻 (Insulation resistance):  
 额定电压 (Rated voltage): 250 V AC DC  
 额定电流 (Rated current): 1.0A AC DC  
 耐电压 (Withstand Voltage):  
 温度范围 (Temperature Range):  $-45^{\circ}\text{C} \sim +125^{\circ}\text{C}$

### ORDER INFORMATION:



5

ITEM	COMPONENT	Q'TY	MATERIAL	FINISH
A	CONTACT	1 PCS	Brass	Ni-plated
<b>东莞市高迪电子有限公司</b> <b>DONG GUAN GAO DI ELECTRONICS CO., LTD</b>				
TITLE: L032B-8.7R				
.X±0.35	X.±	USE:	CUSTOMER	
.XX±0.25	.X±	APPD:	邵敬和	
.XXX±0.15	.XX±	CHKD:	田峰	
--	--	DR:	蒋建银	
UNITS: mm		SCALE: 1 : 1		
			SHEET: 1 / 1	

A

B

C

D

E

F